

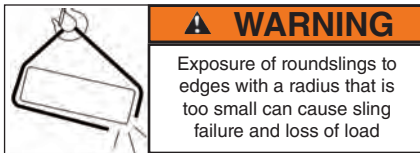
USING TUFLEX ROUNDSLINGS

Protect Sling from Damage

ALWAYS protect roundslings from being cut or damaged by corners, edges and protrusions using protection sufficient for each application.

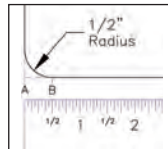
Do not ignore warning signs of misuse. **Cut marks detected during any sling inspection serve as a clear indication that cut protection is needed.** Refer to Sling Protection section of our catalog.

Exposure of slings to edges



Edges do not need to be sharp to cause failure of the sling. The following table shows the minimum allowable edge radii suitable for contact with unprotected roundslings. Chamfering or cutting off edges is not an acceptable substitute for fully rounding the edges to the minimum radius. Slings can also be damaged from contact with edges or burrs at the sling connection.

Measure the edge radius. The radius is equal to the distance between points A and B.



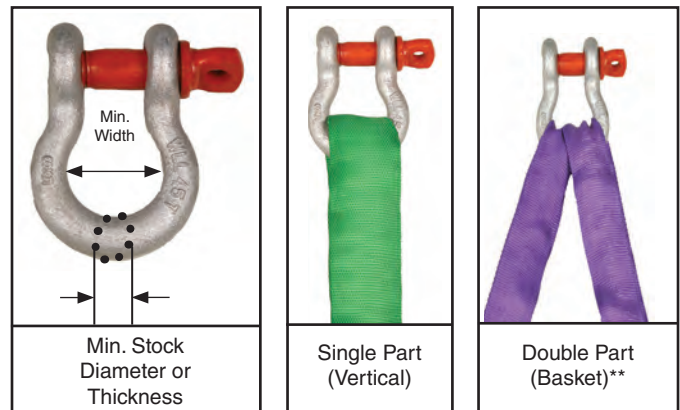
Minimum Edge Radii suitable for contact with unprotected polyester roundslings		
Rated Capacity Vertical (lbs.)	Minimum* Edge Radii (in.)	Sling Width At Load (in.)
EN30	3/16	1.00
EN60	1/4	1.38
EN90	5/16	1.75
EN120	5/16	1.88
EN150	3/8	2.00
EN180	7/16	2.13
EN240	7/16	2.63
EN360	1/2	3.25
EN600	11/16	4.00
EN800	3/4	4.63
EN1000	7/8	5.25

*For further information on minimum edge radii, contact *Lift-All* or see WSTDA-RS-1.

Sling Hardware and Connections

Connection surfaces must be smooth to avoid abrading or cutting slings. Roundslings can be damaged or weakened by excessive compression between the sling and the connection points. Select and use proper connection hardware that conforms to the size requirements listed for choker, vertical, or basket hitches in the charts below.

Contact *Lift-All* (or see WSTDA-RS-1), for information about how to calculate whether a smaller connection size is allowable when tension on a roundslings is less than its capacity.



Minimum hardware dimensions suitable for use with Tuflex Roundslings				
Tuflex Size	Single Part		Double Part**	
	Min. Stock Diameter (in.)	Min. Width (in.)	Min. Stock Diameter (in.)	Min. Width (in.)
EN30	7/16	1.00	9/16	1.38
EN60	5/8	1.38	7/8	1.88
EN90	3/4	1.75	1-1/16	2.38
EN120	7/8	1.88	1-1/4	2.50
EN150	1	2.00	1-3/8	2.88
EN180	1-1/8	2.13	1-5/8	3.00
EN240	1-3/16	2.63	1-5/8	3.75
EN360	1-1/2	3.25	2	4.50
EN600	2	4.00	2-3/4	5.63
EN800	2-1/8	4.63	3	6.50
EN1000	2-1/2	5.25	3-1/2	7.38

**For hardware connected to the body of Eye/Eye Tuflex Roundslings, use the double part columns.

For Temperature and Chemical Information refer to the 'Environmental Consideration' page in the WEB section in this catalog.

DIRECT CONNECT HOOKS

Direct Connect hooks are the quickest and easiest way to add hooks to *Tuflex* roundslings and web slings at your job site. No tools or extra parts are needed.

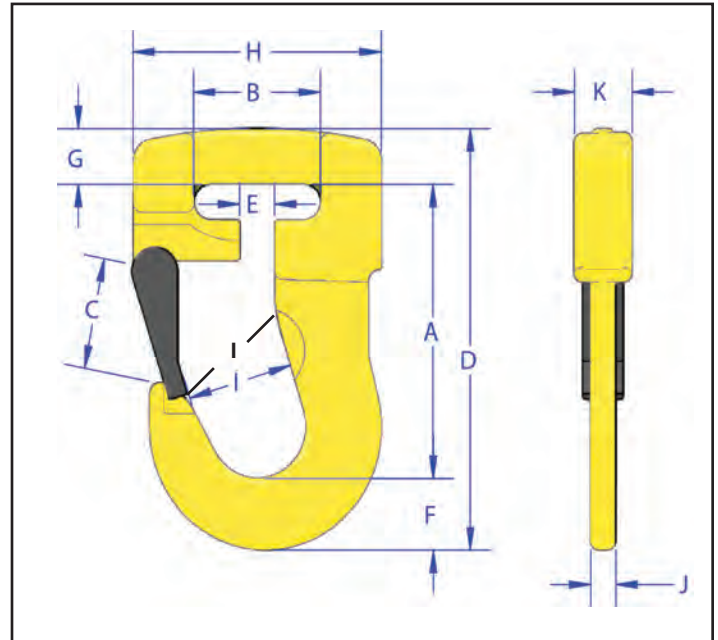
For *Tuflex* slings, just match the color-coded hook to the same color *Tuflex* sling, and you're ready to go. Rated capacities are the same for both the hook and the *Tuflex* roundsling.



Round Slings

Features and Benefits

- Rugged: The alloy steel hook and latch are forged for superior toughness.
- Color-coded hook matches *Tuflex* color and capacity.
- Web-Trap design keeps sling in place, ready to use.
- Four hook sizes to match *Tuflex* sizes EN30 (Purple), EN60 (Green), EN90 (Yellow) and EN150 (Red).
- Can be used with 1" and 2" web slings.
- Quick connections with no tools needed.
- Increases the life of the sling by reducing wear at the bearing point.



Part No.*	Color	Rated Capacity (lbs.)	Tuflex	Web Slings		A (in.)	B (in.)	C (in.)	D (in.)	E (in.)	F (in.)	G (in.)	H (in.)	I (in.)	J (in.)	K (in.)	Weight (lbs.)
				Width	Plies												
DCH1	Purple	2,600	EN30	1	1	3.38	1.56	0.91	4.84	0.47	0.81	.67	3.07	1.22	0.70	1.13	1.54
DCH2	Green	5,300	EN60	1	2	4.00	1.75	1.28	5.83	0.75	1.07	.83	3.58	1.57	0.88	1.39	2.65
DCH3	Yellow	8,400	EN90	2	1 & 2	4.63	2.13	1.40	6.89	0.83	1.26	.98	4.45	1.97	1.00	1.76	4.85
DCH4	Red	13,200	EN150	—	—	5.75	2.34	1.83	8.78	1.63	1.60	1.42	5.21	2.34	1.23	2.21	9.90

*Add 'L' to end of part number to order a latch with the hook.

TUFLEX ENDLESS ROUND SLINGS

Tuflex Endless
The Most Versatile *Tuflex* Roundslings

Features and Benefits

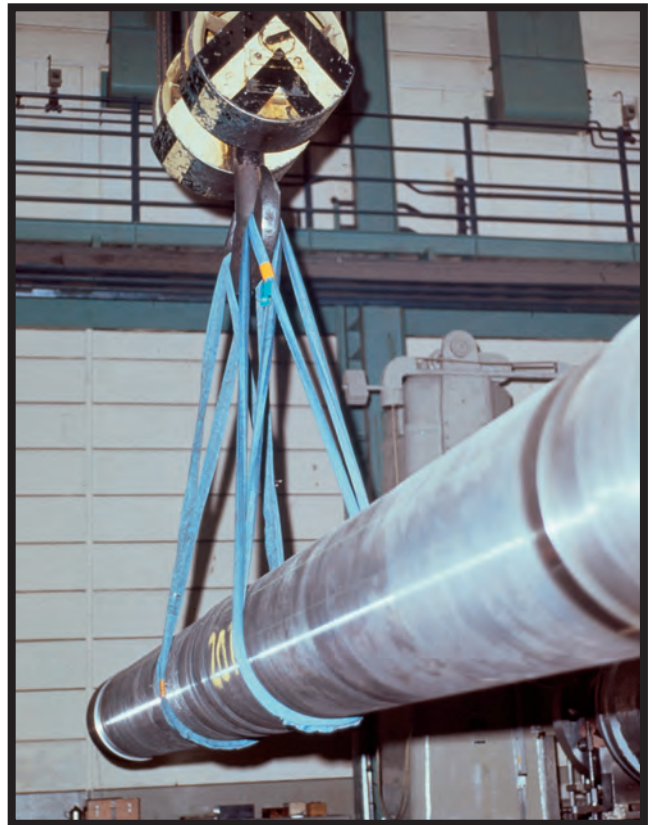
Maintains all the basic *Tuflex* features plus...

Promotes Safety

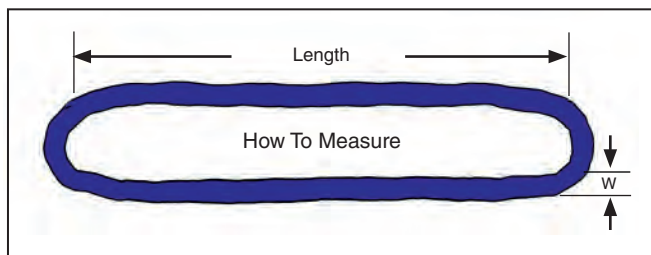
- Load stability and balance can be achieved by spreading sling legs.

Saves Money

- Wear points can be shifted to extend sling life.
- The most flexible style of sling.



Round Slings



TUFLEX ENDLESS ROUND SLINGS

Part Number	Color	Rated Capacity* (lbs.)				Minimum Length (ft.)	Approximate Measurements			
		Vertical	Choker	Basket @ 90°	Basket @ 45°		Weight (lbs. / ft.)	Body Diameter Relaxed (in.)	Body Width at Load (W) (in.)	Minimum Hardware Dia.** (in.)
EN30	Purple	2,600	2,100	5,200	3,600	1.50	.2	0.63	1.00	0.44
EN60	Green	5,300	4,200	10,600	7,400	1.50	.3	0.88	1.38	0.63
EN90	Yellow	8,400	6,700	16,800	11,800	3.00	.5	1.13	1.75	0.75
EN120	Tan	10,600	8,500	21,200	14,000	3.00	.6	1.13	1.88	0.88
EN150	Red	13,200	10,600	26,400	18,000	3.00	.8	1.38	2.00	1.00
EN180	White	16,800	13,400	33,600	23,000	3.00	.9	1.38	2.13	1.13
EN240	Blue	21,200	17,000	42,400	29,000	3.00	1.3	1.75	2.63	1.19
EN360	Gray	31,000	24,800	62,000	43,000	3.00	1.7	2.25	3.25	1.50
EN600	Brown	53,000	42,400	106,000	74,000	8.00	2.8	2.75	4.00	2.00
EN800	Olive	66,000	52,800	132,000	93,000	8.00	3.4	3.13	4.63	2.13
EN1000	Black	90,000	72,000	180,000	127,000	8.00	4.3	3.63	5.25	2.50

** This is the minimum recommended diameter for the connection hardware to be used for a vertical hitch.

*

WARNING

Do not exceed rated capacities. Sling capacity decreases as the angle from horizontal decreases. Slings should not be used at angles of less than 30°. Refer to the Effect of Angle chart in the HELP section of this catalog.